

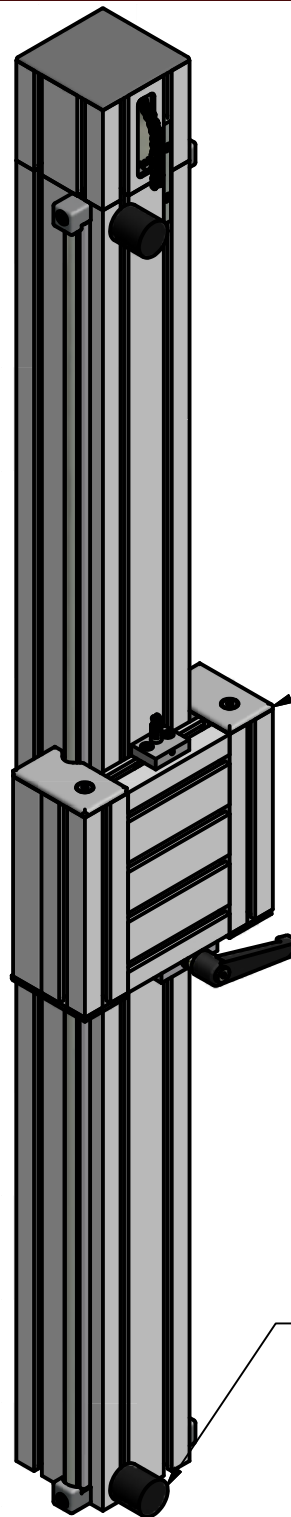
COUNTERWEIGHTED Z-AXIS MANUAL SLIDE. EASILY MOVE YOUR EQUIPMENT TO ANY HEIGHT & LOCK THE HANDLE.

SPECIFY THE FOLLOWING TO RECEIVE A QUOTE.

SLIDE TRAVEL = \_\_\_\_\_

WEIGHT OF ITEMS YOU WILL ADD TO SLIDE \_\_\_\_\_ (45 POUNDS MAX.)

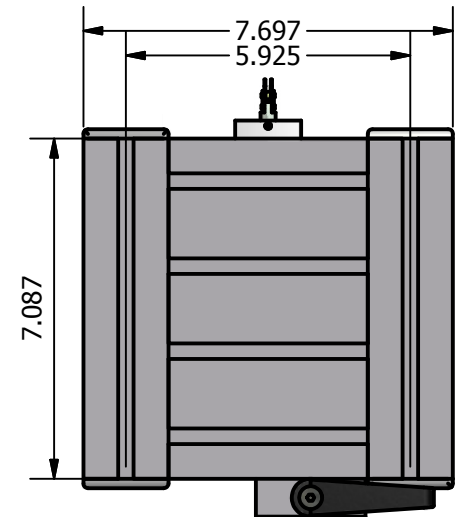
FOR HEAVIER LOADS WE USE A LARGER CHAIN SYSTEM



BALL BEARING SLIDE ROLLS SMOOTHLY EVEN IN DIRTY ENVIROMENTS  
SLIDE LW 90 28.0092

RATCHET HANDLE LOCKS SLIDE SECURELY IN PLACE

RUBBER BUMPERS TOP & BOTTOM



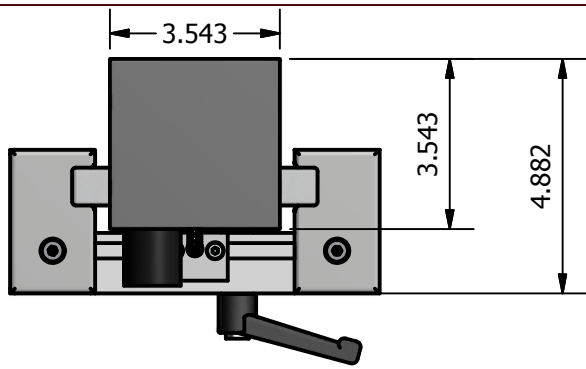
WWW.MINITECFRAMING.COM  
VICTOR, NY  
PH # 585 924-4690  
DIRECT 585 398-1240 EXT 104  
FX # 585 924-4821  
amoles@minitecframing.com

**MiniTec**  
THE ART OF SIMPLICITY

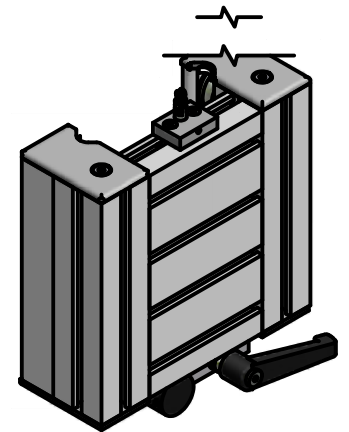
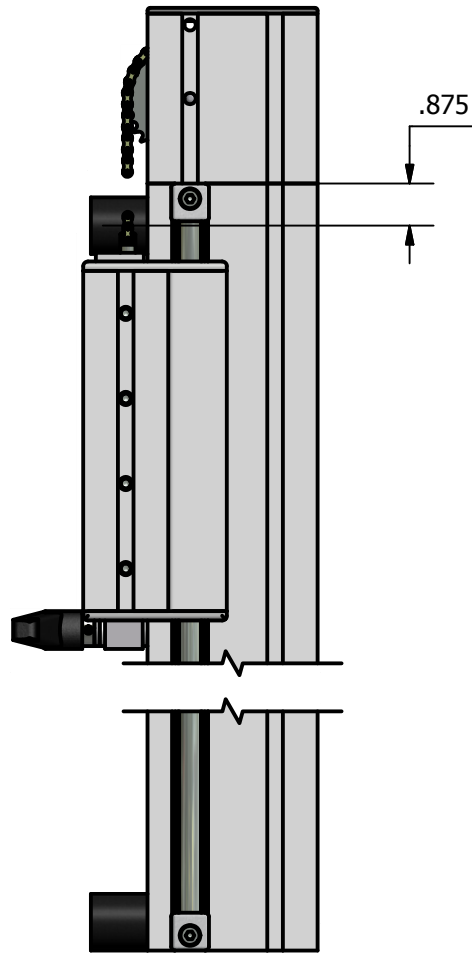
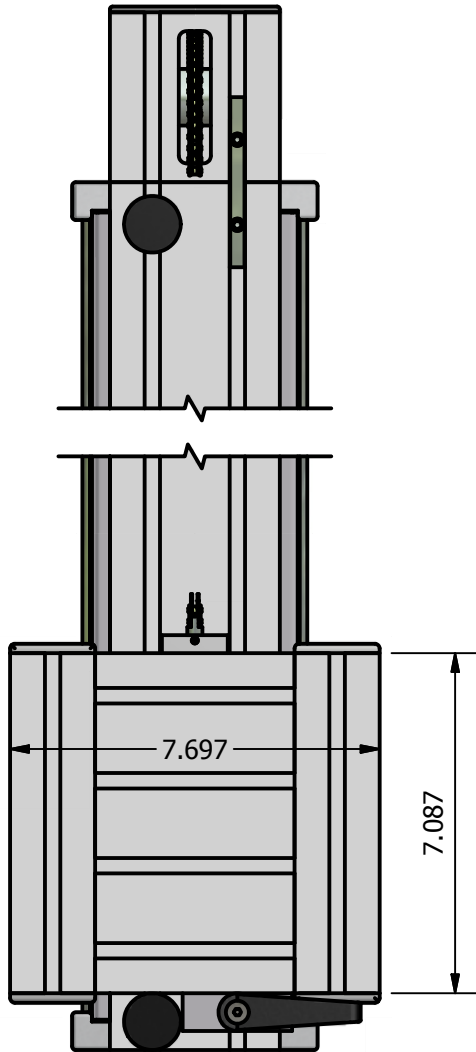
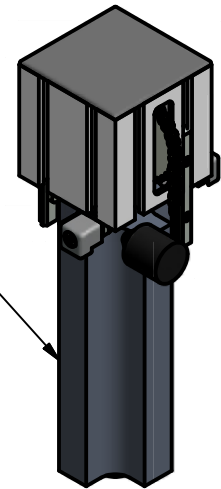
TITLE  
COUNTERWEIGHTED Z AXIS  
SLIDE

DWG NO  
**SP112113**

REV



LEAD COUNTERWEIGHT TRAVELS  
INSIDE 90X90 RAIL




 WWW.MINITECFRAMING.COM  
 VICTOR, NY  
 PH # 585 924-4690  
 DIRECT 585 398-1240 EXT 104  
 FX # 585 924-4821  
 amoles@minitecframing.com

TITLE COUNTERWEIGHTED Z AXIS SLIDE	DWG NO <b>SP112113</b>	REV
--	---------------------------	-----